

CLARKE®

X-PRO



10MM AIR BELT SANDER

MODEL NO: CAT165

PART NO: 3120179

OPERATING & MAINTENANCE INSTRUCTIONS

UK
CA | CE

ORIGINAL INSTRUCTIONS

DL0522 ISS 2





INTRODUCTION

Thank you for purchasing this CLARKE sander.

Before attempting to use this product, please read this manual thoroughly and follow the instructions carefully. In doing so you will ensure the safety of yourself and that of others around you, and you can look forward to your purchase giving you long and satisfactory service.

IMPORTANT

Please read all of the safety and operating instructions carefully before using this product. The following safety symbols are to be found on the machine.

	Read this instruction booklet carefully before use.		Wear ear protection
	Wear eye protection		Wear dust mask

GUARANTEE

This product is guaranteed against faulty manufacture for a period of 12 months from the date of purchase. Please keep your receipt which will be required as proof of purchase.

This guarantee is invalid if the product is found to have been abused or tampered with in any way, or not used for the purpose for which it was intended.

Faulty goods should be returned to their place of purchase, no product can be returned to us without prior permission.

This guarantee does not effect your statutory rights.

GENERAL SAFETY RULES



CAUTION: FAILURE TO FOLLOW THESE PRECAUTIONS COULD RESULT IN PERSONAL INJURY, AND/OR DAMAGE TO PROPERTY.

WORK ENVIRONMENT

1. Keep the work area clean and tidy.
2. Dress appropriately - Do not wear loose clothing or jewellery. Tie long hair out of the way.
3. Keep children and visitors away - Do not let children handle the tool.
4. Do not operate the tool where there are flammable liquids or gases.

USE OF AIR POWERED TOOLS

1. Stay alert and use common sense - do not operate the sander when you are tired or under the influence of alcohol, drugs or medication.
2. Always wear eye protectors when using the sander- Eye protection must provide protection from flying particles from the front and the side.
3. Always wear ear protectors when using the sander.
4. Do not overreach - Keep proper footing and balance at all times.
5. Never use any type of bottled gas as a source of power.
6. Do not connect the air supply hose with your finger on the trigger.
7. Do not exceed the maximum pressure for the tool 90 psi / 6.2 bar.
8. Check hoses for leaks or worn condition before use and ensure that all connections are secure.
9. Keep the air supply hose away from heat, oil and sharp edges.
10. Do not use the tool for any other purpose than that described in this manual.
11. Do not fit the tool to any stand or clamping device that may damage it.
12. Do not carry out any alterations or modifications to the sander.
13. Always disconnect from the air supply when:
 - Performing any maintenance
 - The tool is not in use.
 - The sander will be left unattended.

- Moving to another work area.
 - Passing the sander to another person.
14. Never use the tool if it is defective or operating abnormally.
 15. The tool should be serviced if required, by qualified service personnel.
 16. Avoid damaging the sander for example, by applying excessive force of any kind.
 17. ALWAYS maintain this tool with care. Keep it clean for the best and safest performance.
 18. Quick change couplings should not be located at the tool. They add weight and could fail due to vibration.
 19. Do not force or misuse the tool. It will do a better and safer job at the rate for which it was designed.
 20. This tool vibrates with use. Vibration may be harmful to your hands or arms. Stop using the tool if discomfort, a tingling feeling or pain occurs. Seek medical advice before resuming use.

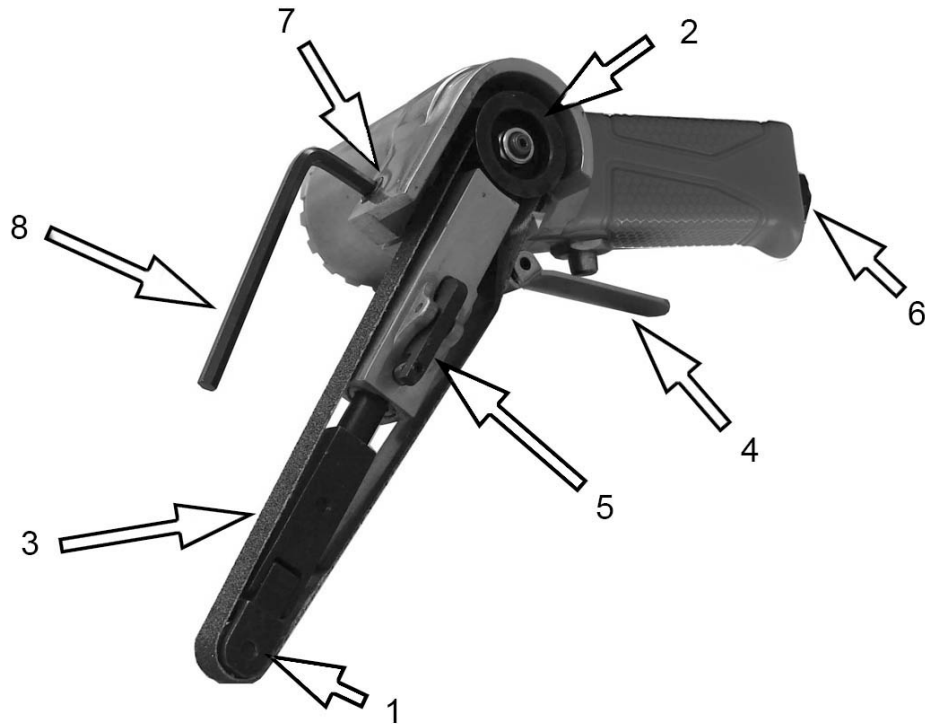
SANDER-SPECIFIC SAFETY RULES

1. Inspect the sanding belt before use. Do not use if frayed.
2. Avoid contact with the moving sanding belt and wear suitable gloves to protect the hands.
3. Never run the sander unless the abrasive belt is applied to the workpiece.
4. Beware of potentially explosive atmospheres being caused by dust / fumes resulting from sanding and used dust extraction systems where possible.
5. Always wear a face mask when using the sander as protection from airborne particles of sanded material. Avoid disturbing existing dust and minimise the scattering of dust in the workplace environment. Take steps to control the dust at the point of emission.

TRANSPORTATION

1. Never carry the sander by the air supply hose.
2. Never carry the sander with your finger on the trigger.

OVERVIEW



NO	DESCRIPTION	NO	DESCRIPTION
1	Idler Pulley	5	Belt Release Catch
2	Drive Pulley	6	Airline Connector
3	Abrasive Belt	7	Angle Adjustment Screw
4	Throttle Lever	8	Allen Key

When unpacking the tool, any damage or deficiency should be reported to your CLARKE dealer immediately. The carton contains:

- Sander
- 60, 80 and 120 grit sanding belts
- Allen (hex) key

Your sander has been designed to give long and trouble free service. If, however, having followed the instructions in this booklet carefully, you encounter problems, take the unit to your local CLARKE dealer.

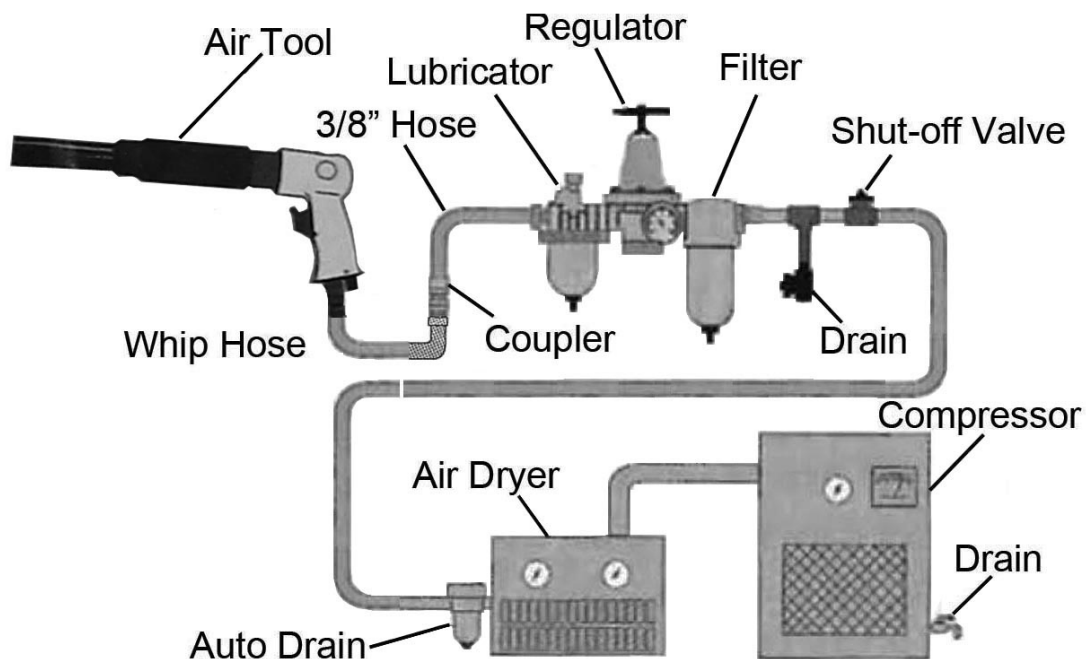
THE COMPRESSED AIR SUPPLY

AIR SUPPLY REQUIREMENTS



WARNING: COMPRESSED AIR CAN BE DANGEROUS. ENSURE THAT YOU ARE FAMILIAR WITH ALL PRECAUTIONS RELATING TO THE USE OF COMPRESSORS AND COMPRESSED AIR SUPPLY.

- Use only clean, dry, regulated compressed air as a power source.
- Air compressors used with the tool must comply with the appropriate European Community Safety Directives.
- A build-up of moisture or oil in the air compressor will accelerate wear and corrosion in the tool. ensure any moisture is drained from the compressor daily and the inlet filter is kept clean.
- If an unusually long air hose is required, (over 8 metres), the line pressure or the hose inside diameter may need to be increased.
- The air hose must be rated at least 150% of the maximum operating pressure of the tool.



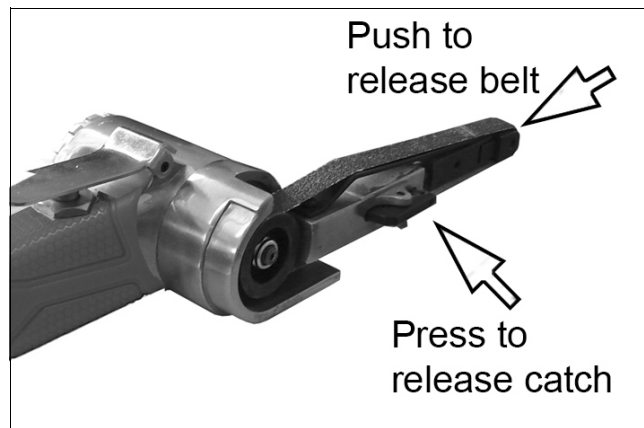
- A typical airline layout is shown above. If an automatic in-line filter/regulator is used, it will keep the tool in good condition, but should be regularly checked and topped up with oil. SAE 10 oil should be used and the lubricator adjusted to approx 2 drops per minute.
- The minimum hose diameter should be 5/16" (8mm) ID and fittings should have the same internal dimensions.

- Never exceed the maximum operating pressure for the tool. It is recommended that air pressure to this tool does not exceed 90 psi (6.2 bar) at the tool when running. Higher pressures and unclean air will shorten the life of the tool due to faster wear and is a possible safety hazard.

BEFORE USE

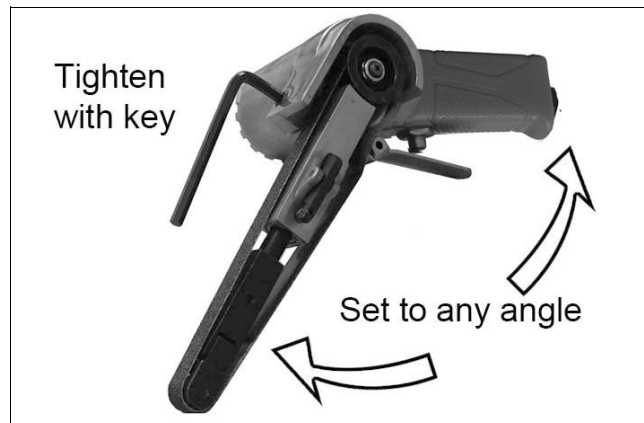
INSTALLING THE BELT

1. To install or replace sanding belt, push the arm/idler assembly towards the body of the tool against the resistance of the spring until it latches.
2. The belt can now be removed and refitted.
3. Ensure the belt is correctly tracking on the rollers before pressing the release catch to release the spring loaded arm. This will re-tension the belt.



ADJUSTING THE ANGLE OF THE SANDER

1. To adjust the working angle of the sander, slacken the hex headed screw using the hex key supplied and set the sander arm to the required position, then secure by re-tightening the hex screw.
- **Only use sanding belts designed for use with this type of sander.**

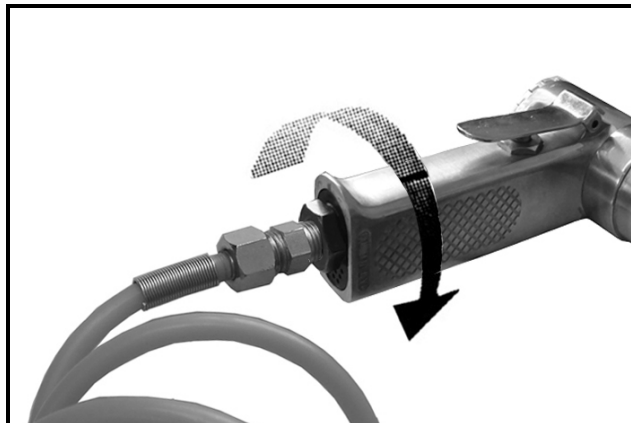


CONNECTING THE AIRLINE



WARNING: COMPRESSED AIR CAN BE DANGEROUS. ENSURE THAT YOU ARE FAMILIAR WITH ALL PRECAUTIONS RELATING TO THE USE OF AIR COMPRESSORS AND A COMPRESSED AIR SUPPLY.

1. Remove the protective plug from the air inlet port and connect a suitable hose as shown.
2. Connect the other end of the hose to the compressed air supply.
3. Turn on the air supply and check for air leaks. Rectify any found before proceeding.



- PTFE tape may be useful for sealing threaded connections.
4. If required, connect an in-line mini oiler to the tool.
 - A mini oiler helps to prolong the life of the air tool.
 5. If a mini-oiler is not being used, run a few drops of oil through the tool before use. It can be entered through the airline inlet or via the hose at the nearest connection to the air supply.
 6. A gauze filter is fitted within the air inlet. Ensure this filter is always in place and is kept clean. An airline is connected to the adapter, preferably via a quick release coupling (not supplied).
 7. Ensure the trigger is NOT depressed when connecting the airline.
 - Your air tool is now ready for use
 - You can fit a whip hose with a quick fit coupling if required (available from your Clarke dealer.)

OPERATION

OPERATING THE SANDER

1. Ensure your fingers are clear of the sanding belt.
2. To begin work, rest the belt on the workpiece and gently start the sander.
3. Squeeze the throttle lever against the body of the tool to start the sander.

- Let the tool do the work. The actual weight of the sander is normally sufficient for efficient sanding. Do not put additional pressure on the sander, which would only slow down the speed of the belt, reducing efficiency and placing an additional burden on the motor.
4. Take care to keep the sander moving around at all times. Avoid dwelling in one place for more than a moment.
 5. When finished sanding, release the throttle lever and allow the motor to stop before carefully putting the tool down.

DISCONNECTING THE AIR SUPPLY

1. Do not disconnect the air supply hose until the air supply has been shut down and the compressed air released.
2. Refer to the compressor instruction manual for the procedure to shut down and release the compressed air.
3. Once the pressure has been released, disconnect the air supply hose from the sander.

MAINTENANCE



WARNING: MAKE SURE THAT THE SANDER IS DISCONNECTED FROM THE AIR SUPPLY BEFORE STARTING ANY CLEANING OR MAINTENANCE PROCEDURES.

Please note that factors other than the tools condition may effect its operation and efficiency, such as reduced compressor output, excessive drain on the airline, moisture or restrictions in the airline, or the use of connectors of improper size or poor condition which will reduce the air supply.

DAILY

1. Before use, drain water from the airline and compressor.
2. Lubricate the air tool daily for optimum performance. Use a high quality airline oil either via a lubricator in the air supply system or by placing a few drops into the air inlet immediately before use. This should be carried out regardless of whether or not an in-line lubricator is used.

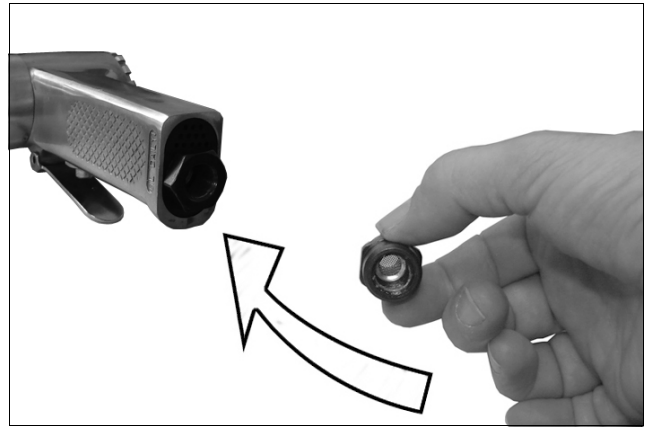
CLEANING & OVERHAUL

1. Keep the moving parts clean and free from debris.
2. If the sander becomes sluggish and the air supply is of good quality, it may be necessary to replace worn or damaged parts.

3. Grit or gum deposits in the mechanism may eventually reduce efficiency. This condition can be corrected by cleaning the air inlet filter and flushing out the tool with gum solvent oil or an equal mixture of SAE No10 oil and paraffin.

4. Failing this, the tool should be disassembled, thoroughly cleaned, dried and reassembled.

You may prefer to take the tool to your CLARKE dealer if internal maintenance is required.



STORAGE

If the tool is to be stored or is idle for longer than 24 hours, run a few drops of Clarke airline oil into the air inlet and depress the trigger in order to lubricate the internal parts.

When not in use, the tool should be disconnected from the air supply and stored in a dry place out of the reach of children. Avoid storing in a damp environment.

ACCESSORIES

A wide range of accessories is available including filter/regulators, lubricators, high-pressure hoses (5 to 50 metres) etc.

Contact your CLARKE dealer for further information or CLARKE International Service Department on 01992 565333.

Clarke Airline Oil (part no. 3050825) is available from your CLARKE dealer.

ABRASIVE BELTS

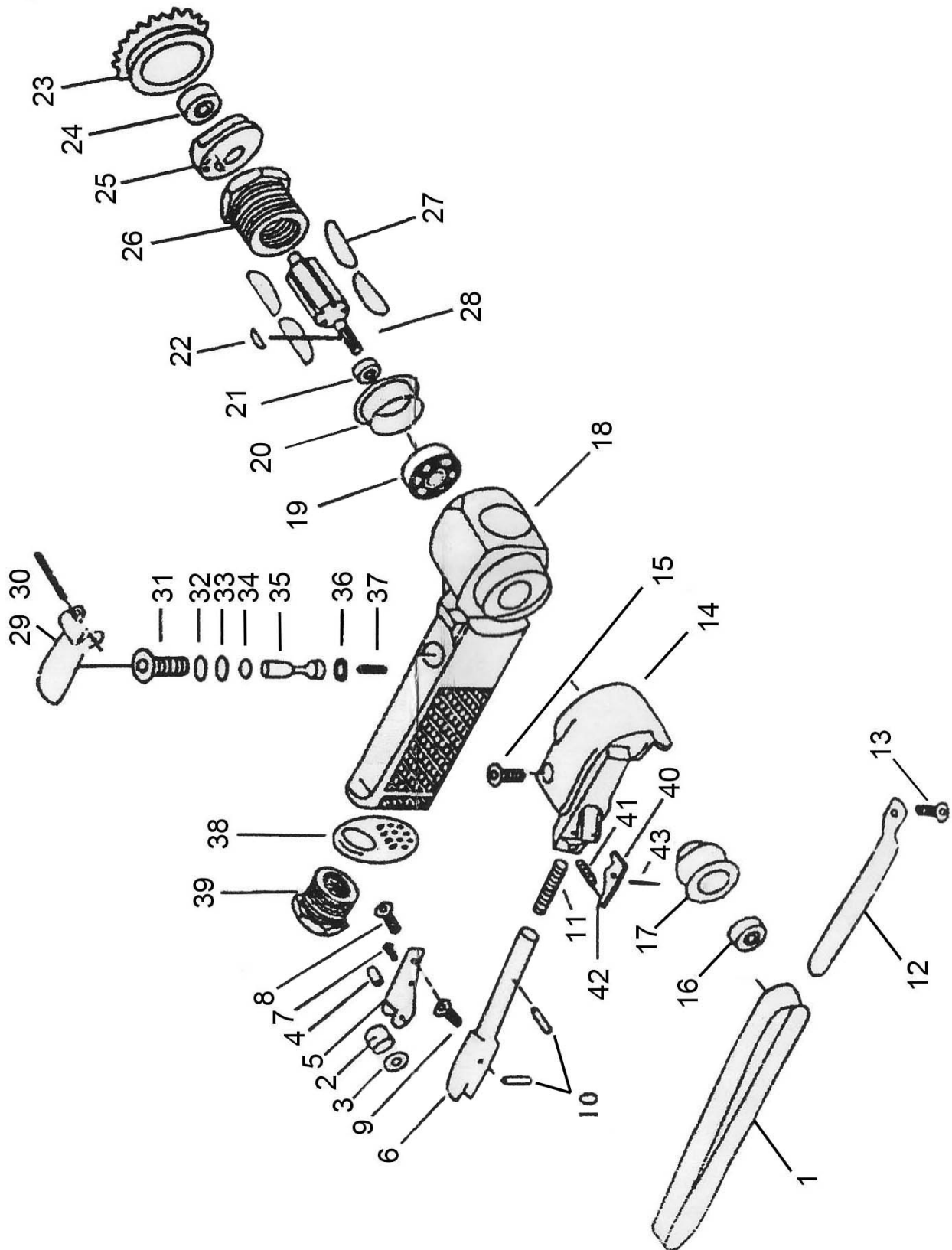
Replacement abrasive belts are available from your CLARKE dealer:

CAT166 - 1 x 60 grit /1 x 80 /1 x 120 grit Part no. 3120180
(pack of 3) - 10 x 330mm

TROUBLESHOOTING

SYMPTOM	PROBLEM	SOLUTION
Tool runs at normal speed but slows down under any load.	<ol style="list-style-type: none"> 1. Excessive pressure on sander. 2. Motor parts worn. 3. Worn or sticking mechanism due to lack of lubricant. 	<ol style="list-style-type: none"> 1. Reduce the force applied to the sander. 2. Return to Clarke dealer for repair. 3. Drip air tool lubricating oil into air inlet. Allow oil to soak moving parts before using.
Tool runs slowly. Air flows weakly from exhaust.	<ol style="list-style-type: none"> 1. Motor parts jammed with gum/dirt. 2. Regulator in closed position. 3. General airflow blocked by dirt. 	<ol style="list-style-type: none"> 1. Examine inlet air filter for cleanliness. 2. Adjust regulator to open position. 3. Operate tool in short bursts.
Tool will not run. Air flows freely from exhaust.	<ol style="list-style-type: none"> 1. Motor vanes stuck due to buildup of foreign material. 	<ol style="list-style-type: none"> 1. Disconnect air supply and rotate tool assembly manually. 2. Try operating tool in short bursts. 3. Tap motor housing gently with a rubber mallet. 4. Drip a few drops of air tool lubricating oil into air inlet to soak moving parts.
Tool will not shut off.	<ol style="list-style-type: none"> 1. O-rings damaged or ill-fitting in seat. 	<ol style="list-style-type: none"> 1. Return to Clarke dealer for repair.

PARTS DIAGRAM



PARTS LIST

No	Description
1	Sanding Belt
2	Idler Pulley
3	Washer
4	Idler Pulley Screw
5	Bracket
6	Tension Bar
7	Setscrew 3x10
8	Countersunk machine screw 3 x 8
9	Spring
10	Roll Pin
11	Spring
12	Shoe
13	Pan head machine screw 4x8
14	Guard Body
15	Set Screw 5x15
16	Hexagon Pulley
17	Drive Pulley
18	Housing
19	Bearing 628zz
20	End Plate B
21	Spacer
22	Woodruffe Key

No	Description
23	End Cap
24	Bearing 607zz
25	End Plate A
26	Cylinder
27	Rotor Blades (set of 5)
28	Rotor
29	Throttle Lever
30	Lever Pin
31	Valve Body
32	O-Ring
33	O-Ring
34	O-Ring
35	Valve Stem
36	O-Ring
37	Valve Spring
38	Air Deflector
39	Air Inlet
40	Release Catch
41	Spring
42	Lever/Spring Pin
43	Lever Hinge Roll Pin

SPECIFICATION

Model Numbers	CAT165
Part Number	3120179
Weight	0.8 kg
Min. Hose Size (ID)	8 mm (5/16")
Air Inlet Size	1/4" BSP Female
Operating Pressure	90 psi (6.2 bar)
Air Consumption	18 cfm (max) - 6 cfm (rated)
Max No Load Speed	20000 rpm @ 90psi
Sound Pressure Level (LpA dB)	93 dB(A)
Sound Power Level (LwA dB)	104 dB(A)
Vibration Levels	4.8 m/s ²
Vibration Uncertainty K	1.5

Please note that the details and specifications contained herein are correct at the time of going to print. However CLARKE International reserve the right to change specifications at any time without prior notice.

DECLARATION OF CONFORMITY



Hemnoll Street, Epping, Essex CM16 4LG

DECLARATION OF CONFORMITY

This is an important document and should be retained.

We hereby declare that this product(s) complies with the following statutory requirement(s):

Supply of Machinery (Safety) Regulations 2008

The following standards have been applied to the product(s):

EN/ISO 11148-8:2011

The technical documentation required to demonstrate that the product(s) meet(s) the requirement(s) of the aforementioned legislation has been compiled and is available for inspection by the relevant enforcement authorities.

The UKCA mark was first applied in: 2022

Product Description: X-Pro 10mm Air Belt Sander
Model number(s): CAT165
Serial / batch Number: N/A
Date of Issue: 24/05/2022

Signed:

J.A. Clarke
Director



Fitzwilliam Hall, Fitzwilliam Place, Dublin 2

DECLARATION OF CONFORMITY

This is an important document and should be retained.

We hereby declare that this product(s) complies with the following directive(s):

2006/42/EC Machinery Directive

The following standards have been applied to the product(s):

EN ISO 11148-8:2011

The technical documentation required to demonstrate that the product(s) meet(s) the requirement(s) of the aforementioned directive(s) has been compiled and is available for inspection by the relevant enforcement authorities.

The CE mark was first applied in: 2013

Product Description: X-Pro 10mm Air Belt Sander
Model number(s): CAT165
Serial / batch Number: N/A
Date of Issue: 24/05/2022

Signed:

J.A. Clarke
Director

A SELECTION FROM THE VAST RANGE OF

Clarke®

QUALITY PRODUCTS



AIR COMPRESSORS
From DIY to industrial, Plus air tools, spray guns and accessories.

GENERATORS
Prime duty or emergency standby for business, home and leisure.

POWER WASHERS
Hot and cold, electric and engine driven - we have what you need

WELDERS
Mig, Arc, Tig and Spot. From DIY to auto/industrial.

METALWORKING
Drills, grinders and saws for DIY and professional use.

WOODWORKING
Saws, sanders, lathes, mortisers and dust extraction.

HYDRAULICS
Cranes, body repair kits, transmission jacks for all types of workshop use.

WATER PUMPS
Submersible, electric and engine driven for DIY, agriculture and industry.

POWERTOOLS
Angle grinders, cordless drill sets, saws and sanders.

STARTERS/CHARGERS
All sizes for car and commercial use.



PARTS & SERVICE: 0208 988 7400

Parts Enquiries
Parts@clarkeinternational.com

Servicing & Technical Enquiries
Service@clarkeinternational.com

SALES: UK 01992 565333 or Export 00 44 (0)1992 565335

Clarke® INTERNATIONAL Hemnall Street, Epping, Essex CM16 4LG
www.clarkeinternational.com